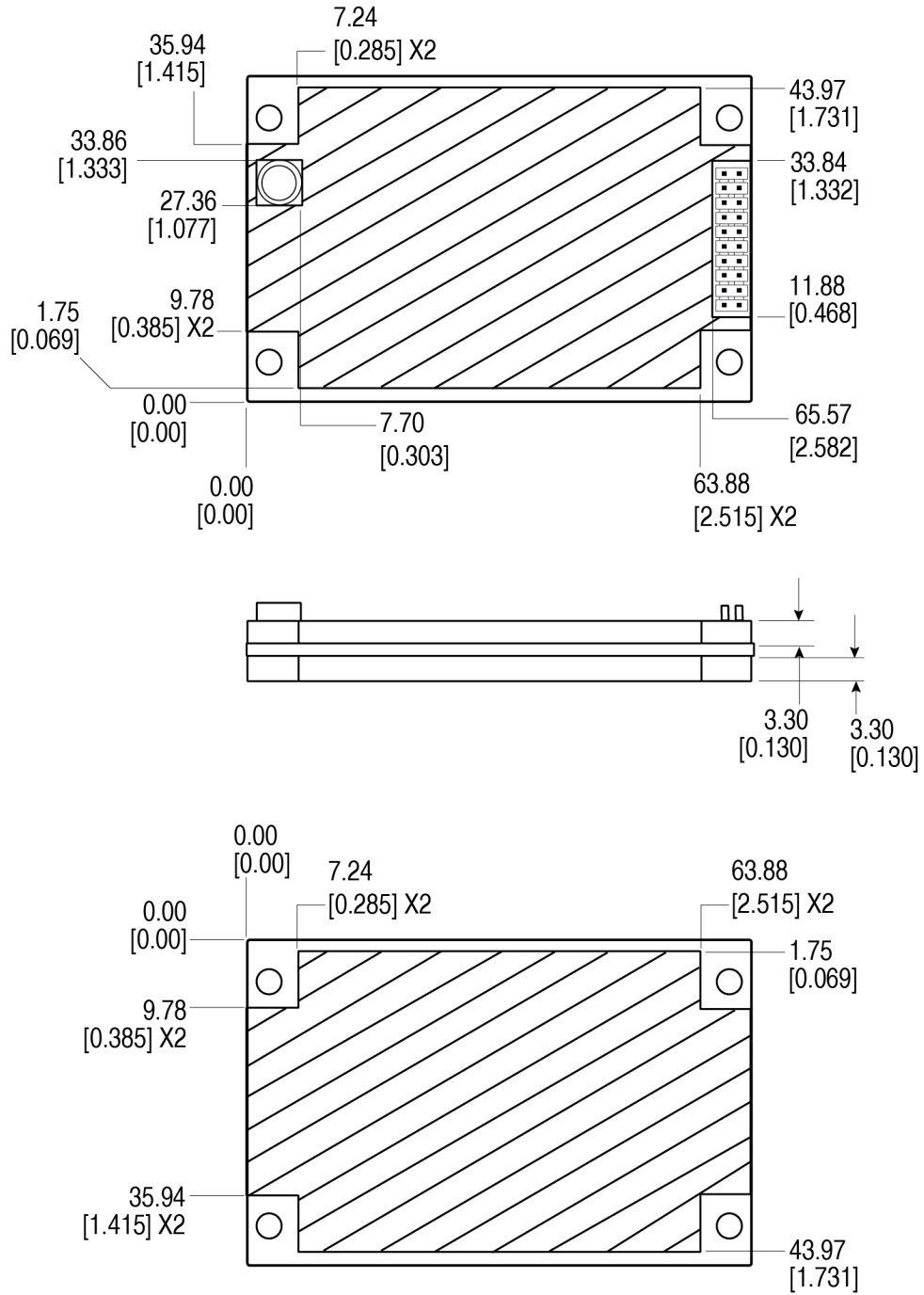


Figure 40: OEM719 Keep-outs



Dimensions are in millimetres [inches].